

Single-deck vibrating screen

Type: ZVS



Applications

The single-deck vibrating screen has various applications, for instance in food industry, chemical industry, feed industry, malteries etc. All kinds of bulkproducts like kernels, powders, pellets, crumbles can be separated into 2 components with adjoining sizes; course and fine.

Operation

Materials enter the vibrating screen through the inlet on top of the screen-casing. The intensive vibrations of the screendeck transport the different components through or over the screen to one of the two outlets. The exchange of screendeck is very simple and fast. A wide range of screen perforations is available.

Features

- high screening efficiency
- totally enclosed system
- all steel construction
- external drive system
- large screen
- aspiration connection
- regulation, intensity and direction of vibration

Benefits

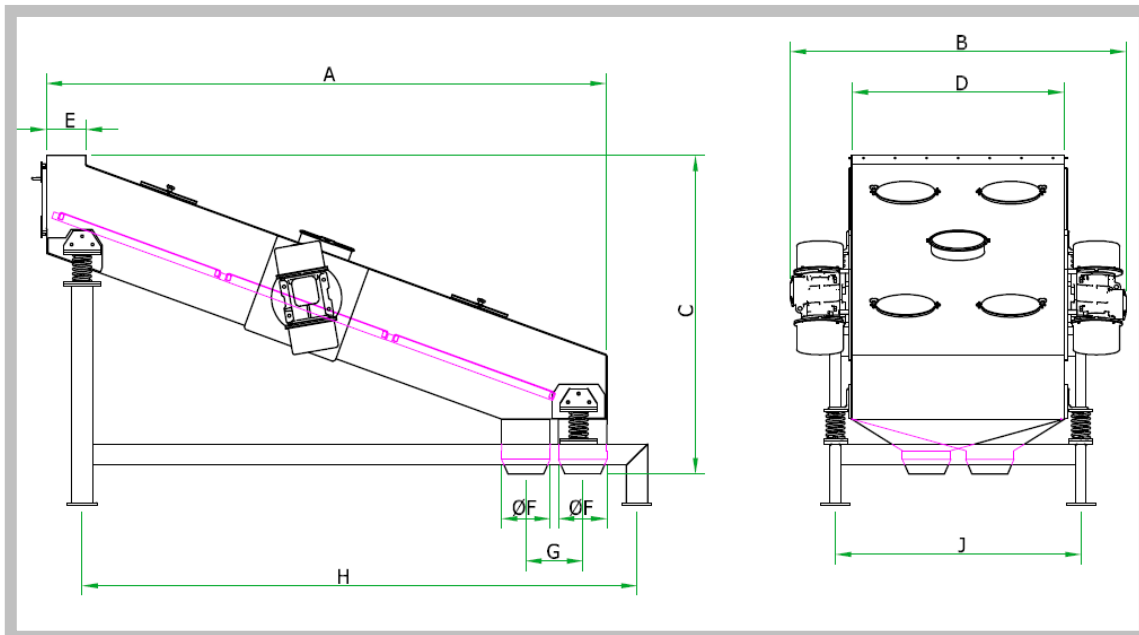
- high capacity in compact design
- moderate power consumption
- long lasting efficiency
- minimum maintenance

Options

- ball cleaned screendeck

Single-deck vibrating screen

Type: ZVS



Type	Dimensions								
	A	B	C	D	E	F	G	H	J
ZVS08/14	1810	1400	1150	800	190	230	270	1850	950
ZVS10/16	1865	1580	1100	1000	190	200	250	1865	1150
ZVS10/20	2290	1680	1250	1000	190	250	300	2290	1150
ZVS10/25	2765	1680	1510	1000	190	300	350	2770	1165
ZVS12/25	2845	1930	1510	1250	300	350	400	2800	1420

Type	Screen surface m ²	Weight kg	Capacity in ton/h*		
			Pallets Screen 4mm	Crumbles Screen 3mm	Malt Screen 3mm
ZVS08/14	1,2	500	6	5	7
ZVS10/16	1,6	850	12	10	12
ZVS10/20	2	1050	16	12	14
ZVS10/25	2,5	1200	20	14	16
ZVS12/25	3	1350	25	18	20

* Capacity always depending on product specifications

Dimensions are for indication only. Additional data will be sent on request.