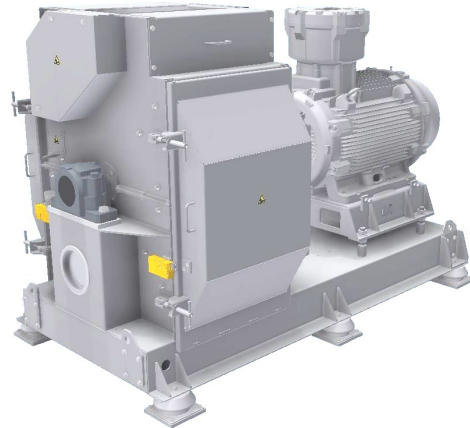


# Hammer mill up to 70 ton/h

Type: P15, 1500 rpm



## Application

Poeth high capacity hammermills are specially designed for grinding raw materials in feed mills and associated industries.

## Operation

A shaker or fully automatic drum-feeder doses the material into the grinding chamber where it is ground by four rows of beaters and three breaker plates through perforated screens. Meal is sucked through the screens by a high pressure fan into a grinding bin or transported away directly by a conveying system with a pressure fan.

## Construction

- strong attractively styled welded housing with large access doors.
- rotor mounted on a robust shaft on ball bearings.
- dynamic balanced motor.
- mill and motor are mounted on a platform with vibration absorbers.
- all worn parts can be easily replaced.
- permanent magnet.
- stone trap.

## Optional :

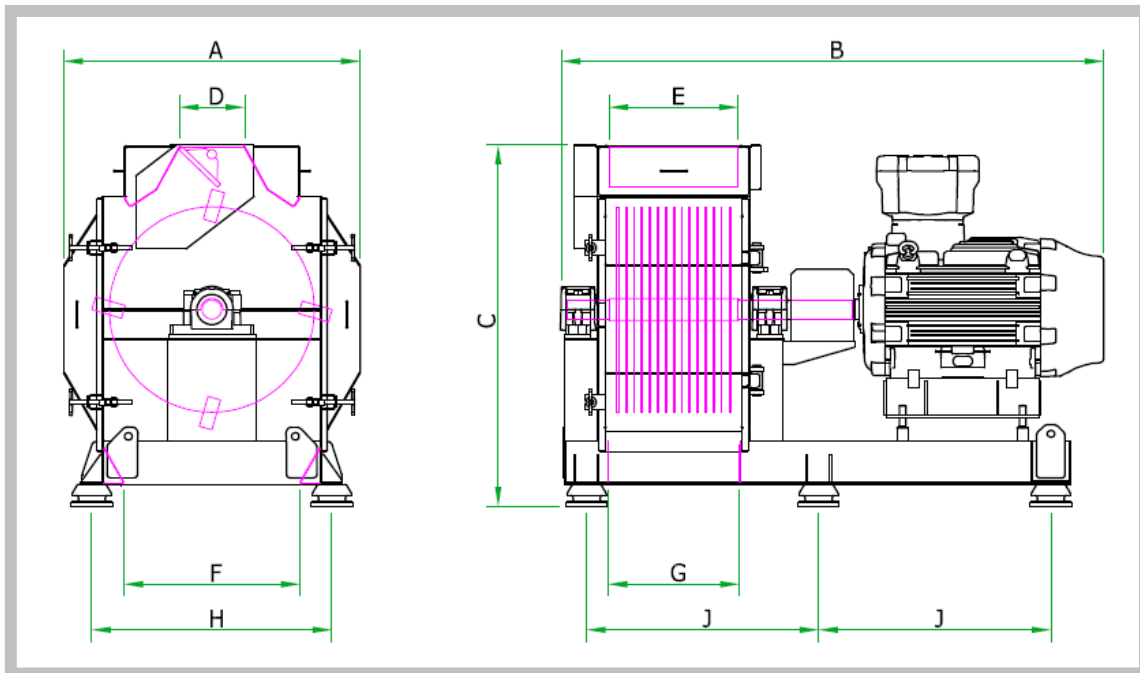
- temperature gauge for the bearings.

## Benefits P15

- two turning directions.
- quick changing of hammers.
- high efficiency.
- operating speed 90 m/sec.
- low dust emission.
- low maintenance costs.
- electric control system.

# Hammer mill up to 70 ton/h

Type: P15, 1500 rpm



Type	Drive power Sieve area		Dimensions								
	kW	m <sup>2</sup>	A	B	C	D	E	F	G	H	J
P15/400	75-110	1,2	1400	2100	1650	300	390	800	400	1100	1060
P15/600	110-160	1,8	1400	2400	1650	300	590	800	600	1100	1060
P15/800	160-250	2,4	1400	3000	1650	300	790	800	800	1100	1060
P15/1000	220-355	3	1400	3250	1650	300	990	800	800	1100	1060

Dimensions are for indication only. Additional data will be sent on request.