

Double-deck vibrating screen

Type: ZVD



Applications

The double-deck vibrating screen has various applications, for instance in food industry, chemical industry, feed industry, malteries etc. All kinds of bulkproducts like kernels, powders, pellets, crumbles can be separated into 3 components with adjoining sizes; course, middle and fine.

Operation

Materials enter the vibrating screen through the inlet on top of the screen-casing. The intensive vibrations of the screendeck transport the different components through or over the screen to one of the three outlets. The exchange of screendeck is very simple and fast. A wide range of screen perforations is available.

Features

- high screening efficiency
- totally enclosed system
- all steel construction
- external drive system
- large screens
- aspiration connection
- regulation, intensity and direction of vibration

Benefits

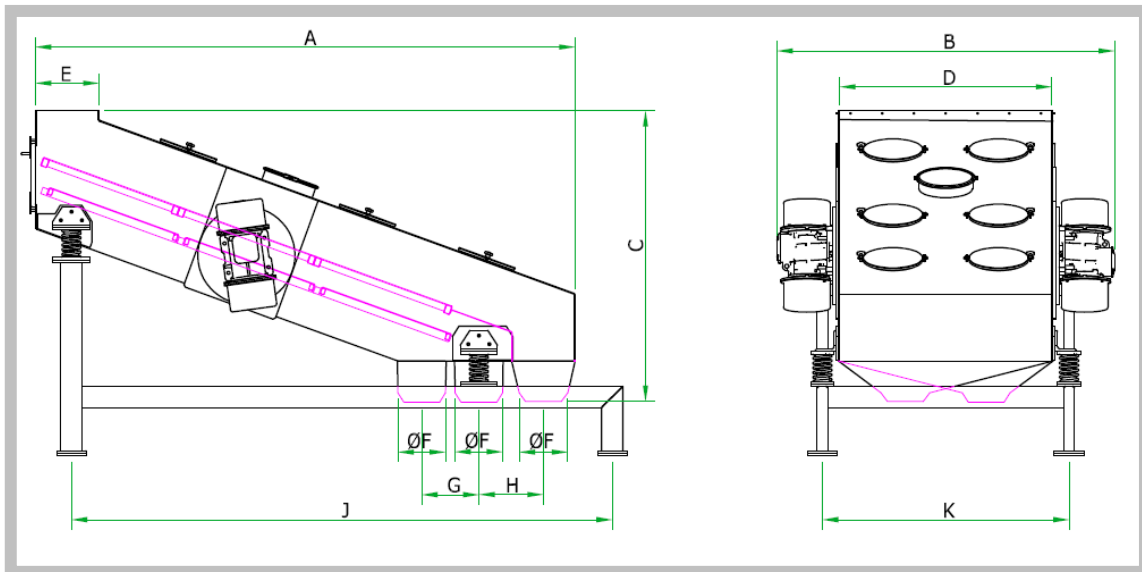
- high capacity in compact design
- moderate power consumption
- long lasting efficiency
- minimum maintenance

Options

- ball cleaned screendeck

Double-deck vibrating screen

Type: ZVD



Type	Dimensions									
	A	B	C	D	E	F	G	H	J	K
ZVD08/14	1980	1400	1200	800	190	230	270	300	2060	950
ZVD10/16	2115	1580	1100	1000	190	200	250	280	2115	1150
ZVD10/20	2590	1680	1250	1000	190	250	300	330	2590	1150
ZVD10/25	3115	1680	1510	1000	190	300	350	380	3120	1165
ZVD12/25	3245	1930	1510	1250	300	350	400	430	3200	1420

Type	Screen surface m ²	Weight kg	Capacity in ton/h*		
			Pallets Screen 4mm	Crumbles Screen 3mm	Malt Screen 3mm
ZVD08/14	1,2	550	6	5	7
ZVD10/16	1,6	950	12	10	12
ZVD10/20	2	1120	16	12	14
ZVD10/25	2,5	1260	20	14	16
ZVD12/25	3	1420	25	18	20

* Capacity always depending on product specifications

Dimensions are for indication only. Additional data will be sent on request.